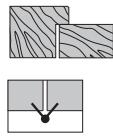
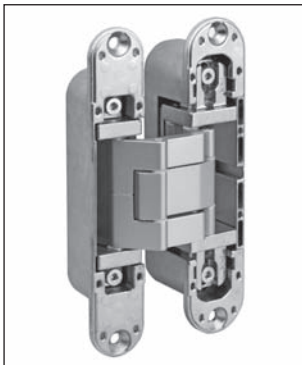


Eclipse 4.1 - adjustable concealed hinge for flush doors in wood and aluminium, with surface mounted coverplate



Description

Reversible concealed hinge.
It is adjustable on 3 axis and allows a 180° door opening. It is suitable for flush doors with thickness higher or equal to 44 mm.
Ideal for applications with cover up to 13 mm.

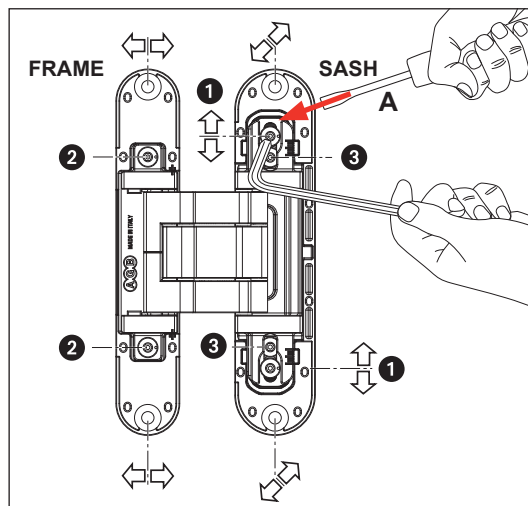
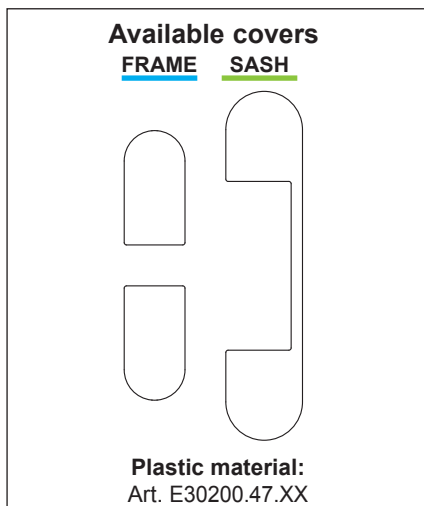
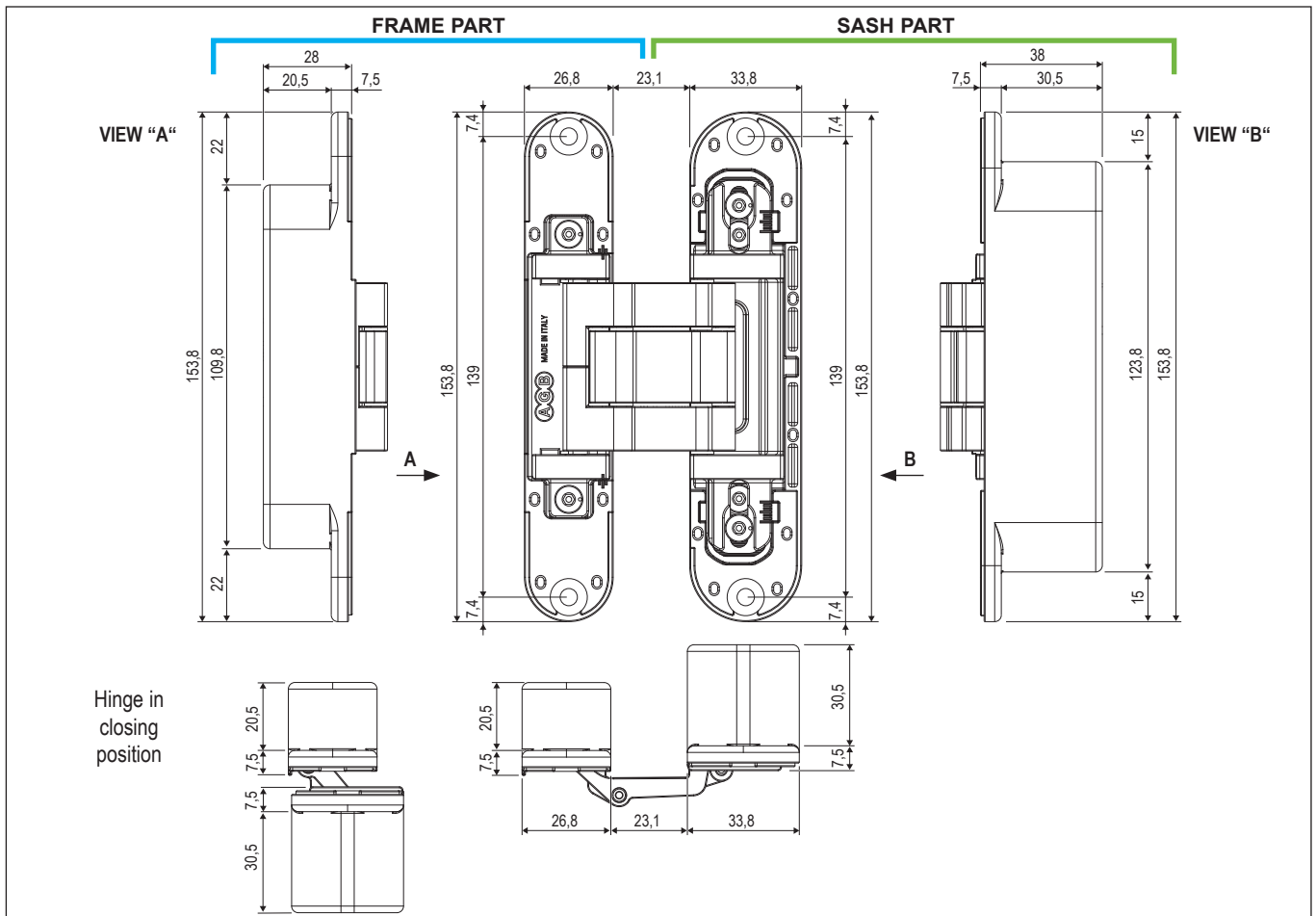
Capacity

50 kg with 2 hinges.

Note. Follow the procedure on the capacity diagram for the sash maximum possible dimensions in relation of the number of hinges.

Fastening

Mill the sash and frame parts as indicated in the drawing and fasten the hinge with $\varnothing 4,5$ mm screws of suitable length.

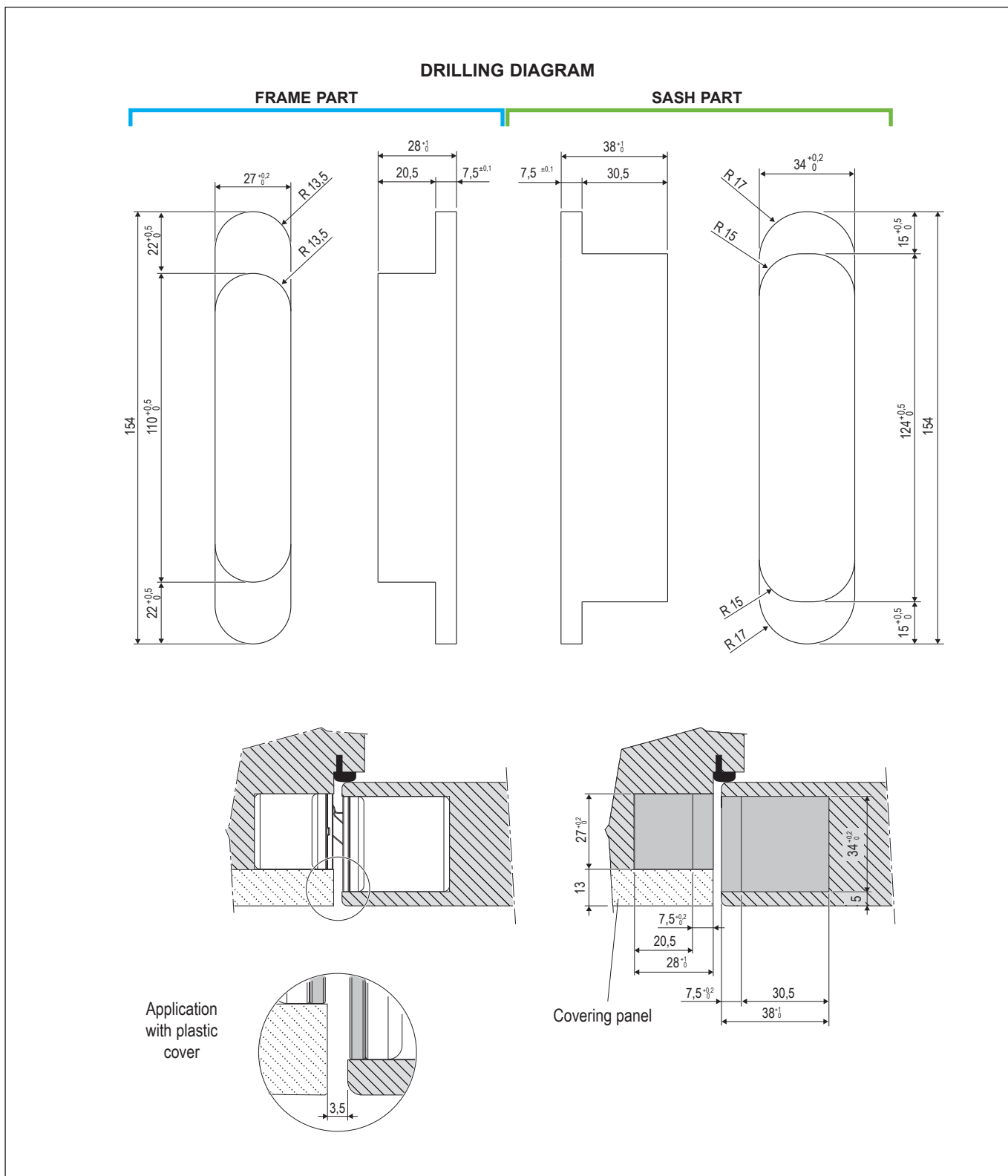


Adjustments

Please adjust the hinges one by one with a 3 mm Allen key; reach the desired adjustment on the screws alternatively and with little movements.

- **±3 mm vertical adjustment:** loosen the screws ① by using a screwdriver (A) or a wedge which is suitable for Eclipse hinges, art. E30200.89.01. After this operation, fasten the screws.
- **±1 mm pressure adjustment:** loosen the screws ② and move the hinge body. After this operation, fasten the screws.
- **+3/-2 mm horizontal adjustment:** move the screws ③.

Eclipse 4.1 - adjustable concealed hinge for flush doors in wood and aluminium, with surface mounted coverplate



Order specifications

Material	Article
ZAMAK	E30200.64.XX

Note. Refer to the price list in force to check the availability of the finishes.