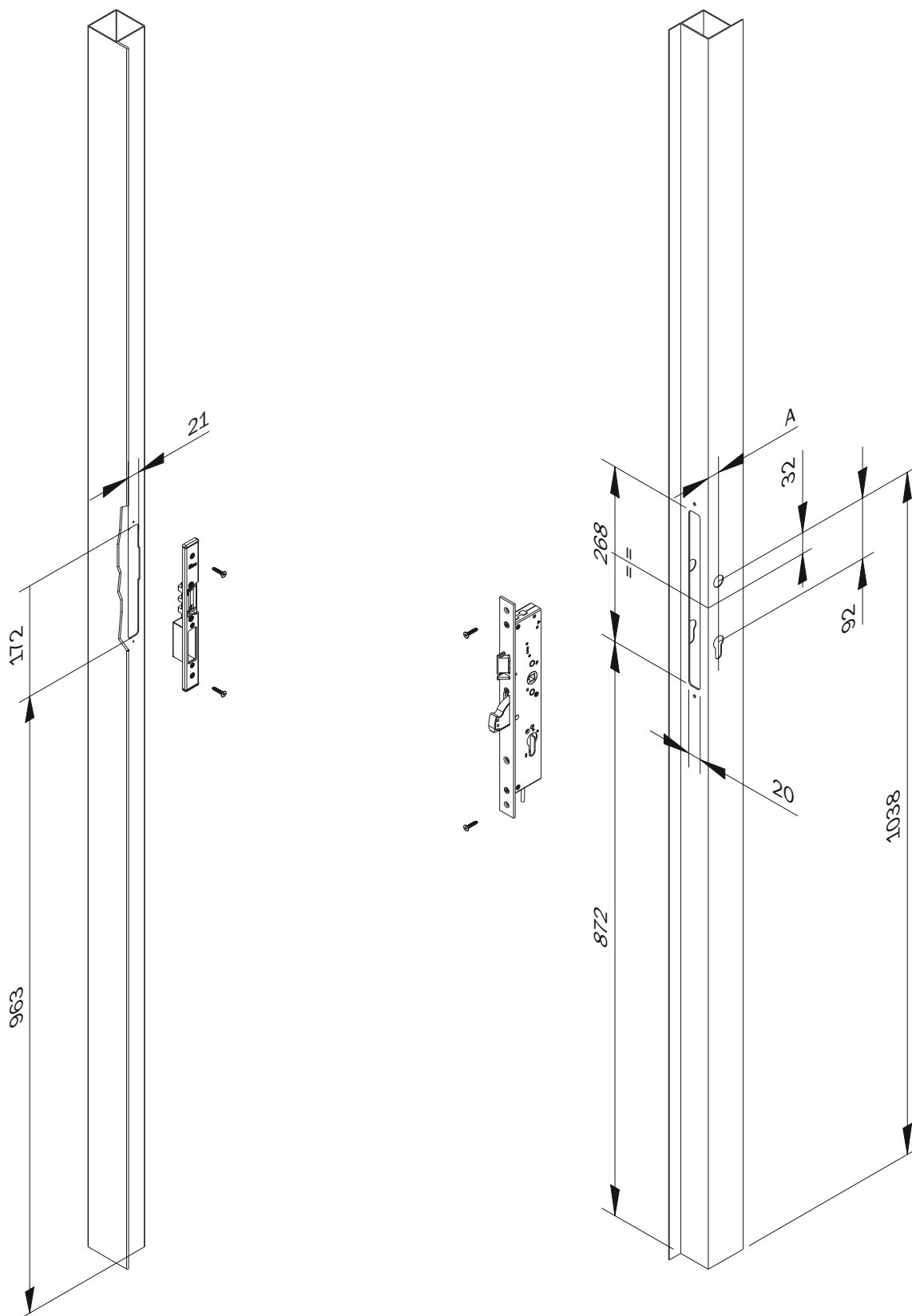
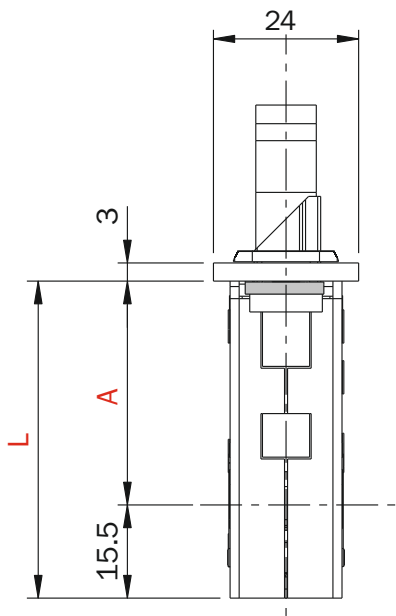


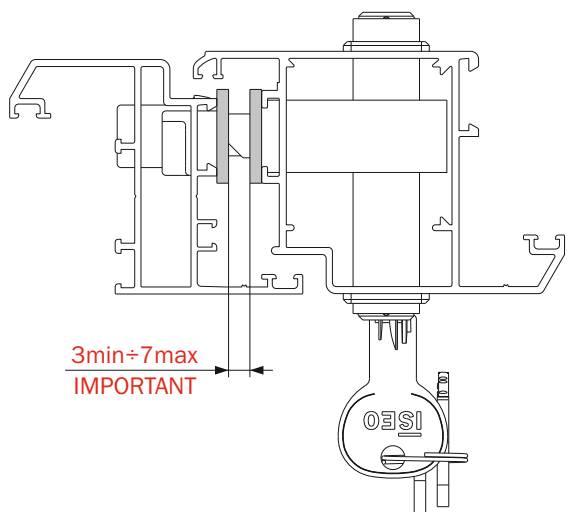
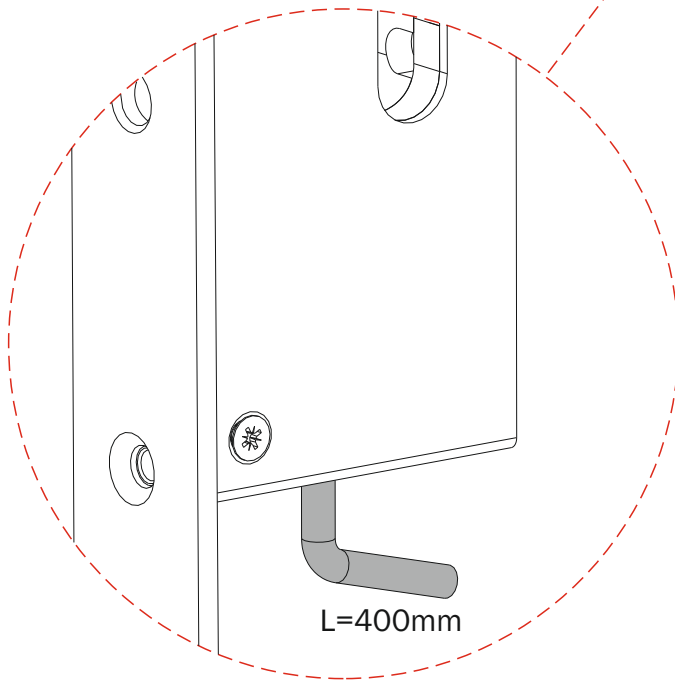
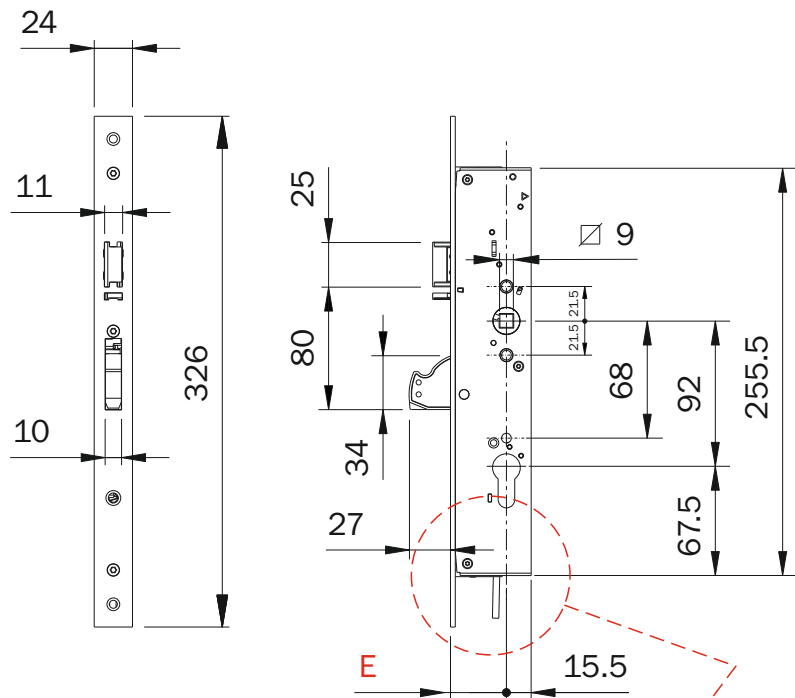
# Multiblindo Easy EXIT laterale

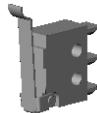
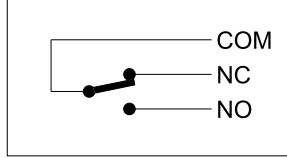
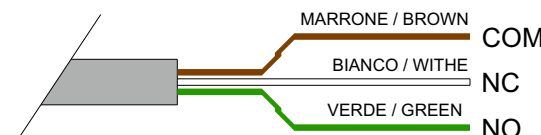
Istruzioni di montaggio  
Assembling instructions  
Instructions de montage  
Montageanleitung  
Instrucciones para el montaje





Cod.	E	A	L
7A1A16 <b>35</b> 22*.A	35	32	47.5
7A1A16 <b>40</b> 22*.A	40	37	52.5
7A1A16 <b>45</b> 22*.A	45	42	57.5
7A1A16 <b>50</b> 22*.A	50	47	62.5
7A1A16 <b>55</b> 22*.A	55	52	67.5
7A1A16 <b>60</b> 22*.A	60	57	72.5
7A1A16 <b>65</b> 22*.A	65	62	77.5



Microswitch	
V max	48V AC/DC
I max	1A (Resistive Load)
IP	IP40
	
	MARRONE / BROWN COM BIANCO / WHITE NC VERDE / GREEN NO