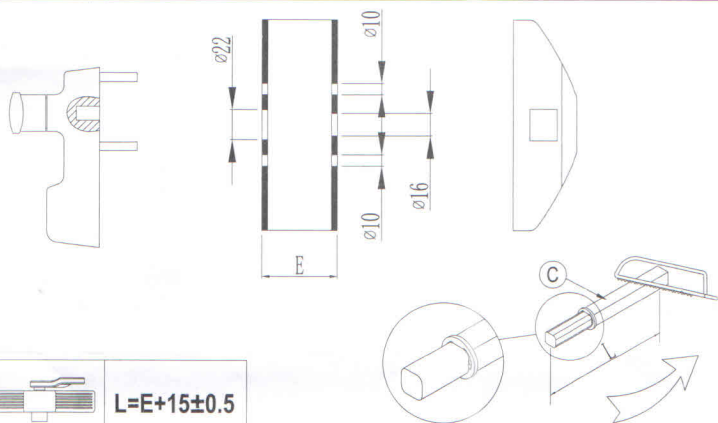
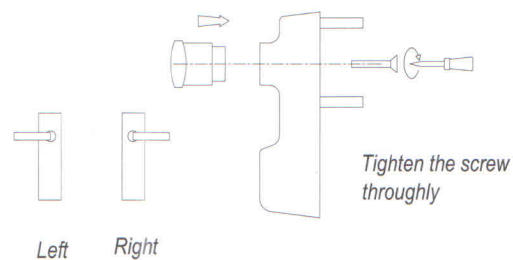


1 PERFORATE THE DOOR-ADJUST THE SPINDLE



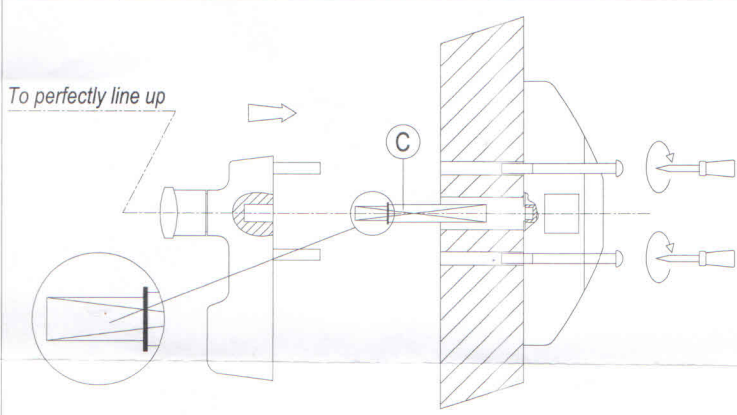
L=E+15±0.5

2 FIX THE HANDLE

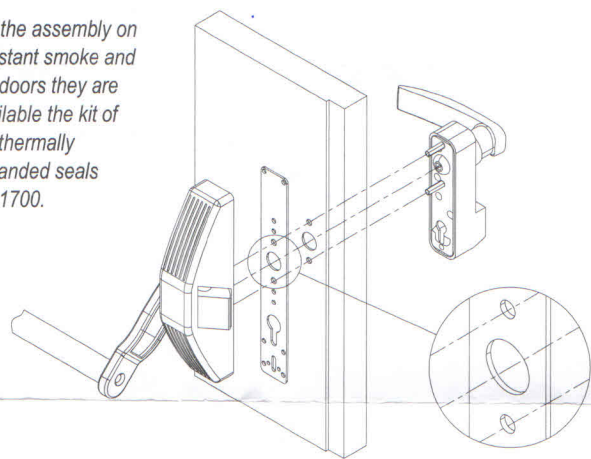


ATTENTION
The screw friction is normal. It has an unscrewing function.

3 FIX THE HANDLE ONTO THE DOOR



For the assembly on resistant smoke and fire doors they are available the kit of the thermally expanded seals DT-1700.



4 CYLINDER REPLACEMENT

