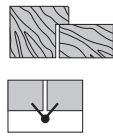


# Eclipse 3.2 and Eclipse 3.2 HD - adjustable concealed hinge for flush doors with or without rebate and aluminium doors



### Description

Reversible concealed hinge with a frame part reduced to 21 mm. Eclipse 3.2 is adjustable on 3 axis and allows a 180° opening. It is suitable for flush doors, with and without rebate and aluminium doors. The hinge can be used with the door closer. Possibility to install both flush covers and coverplates.

### Capacity

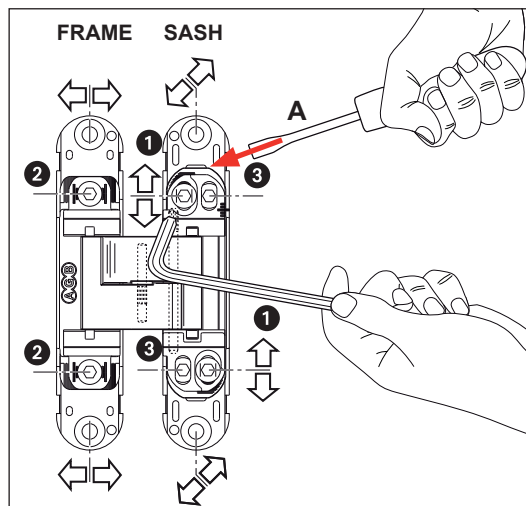
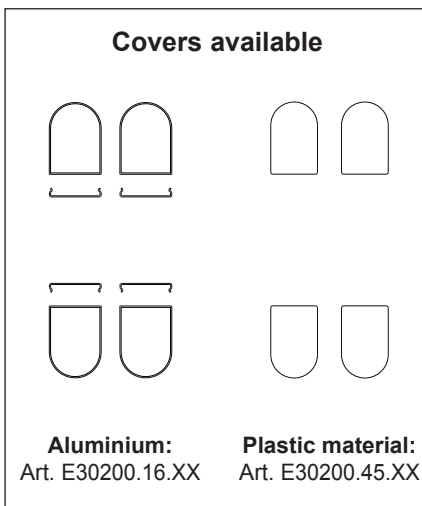
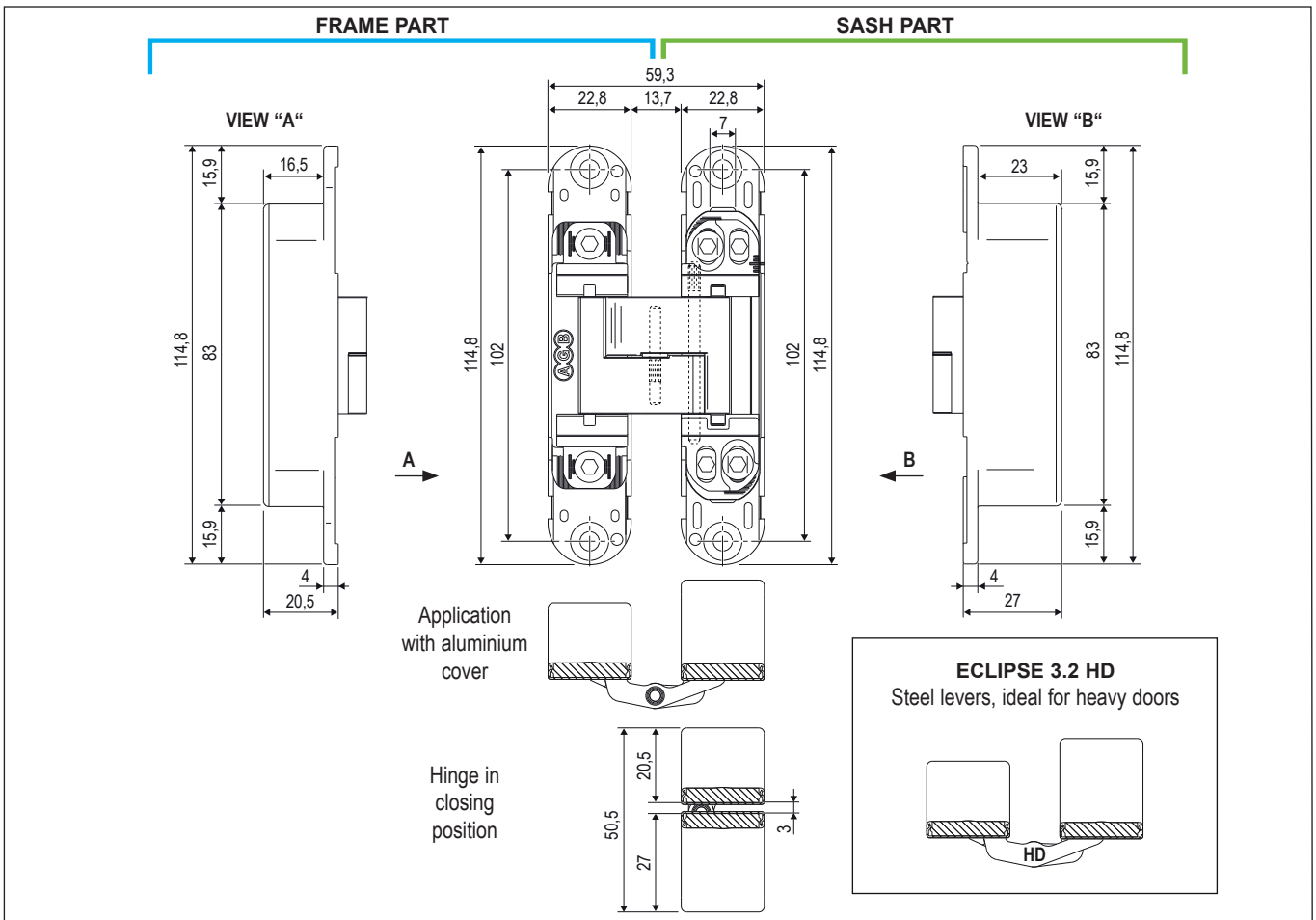
**Eclipse 3.2:** up to 40 kg with 2 hinges, 60 kg with 3 hinges;  
**Eclipse 3.2 HD:** up to 60 kg with 2 hinges, 80 kg with 3 hinges.

**Note.** Follow the procedure on the capacity diagram for the maximum dimensions of the possible sash.



### Fastening

Mill sash and frame as indicated in the picture and fasten the hinge with  $\varnothing 4,5$  mm screws of a suitable length.

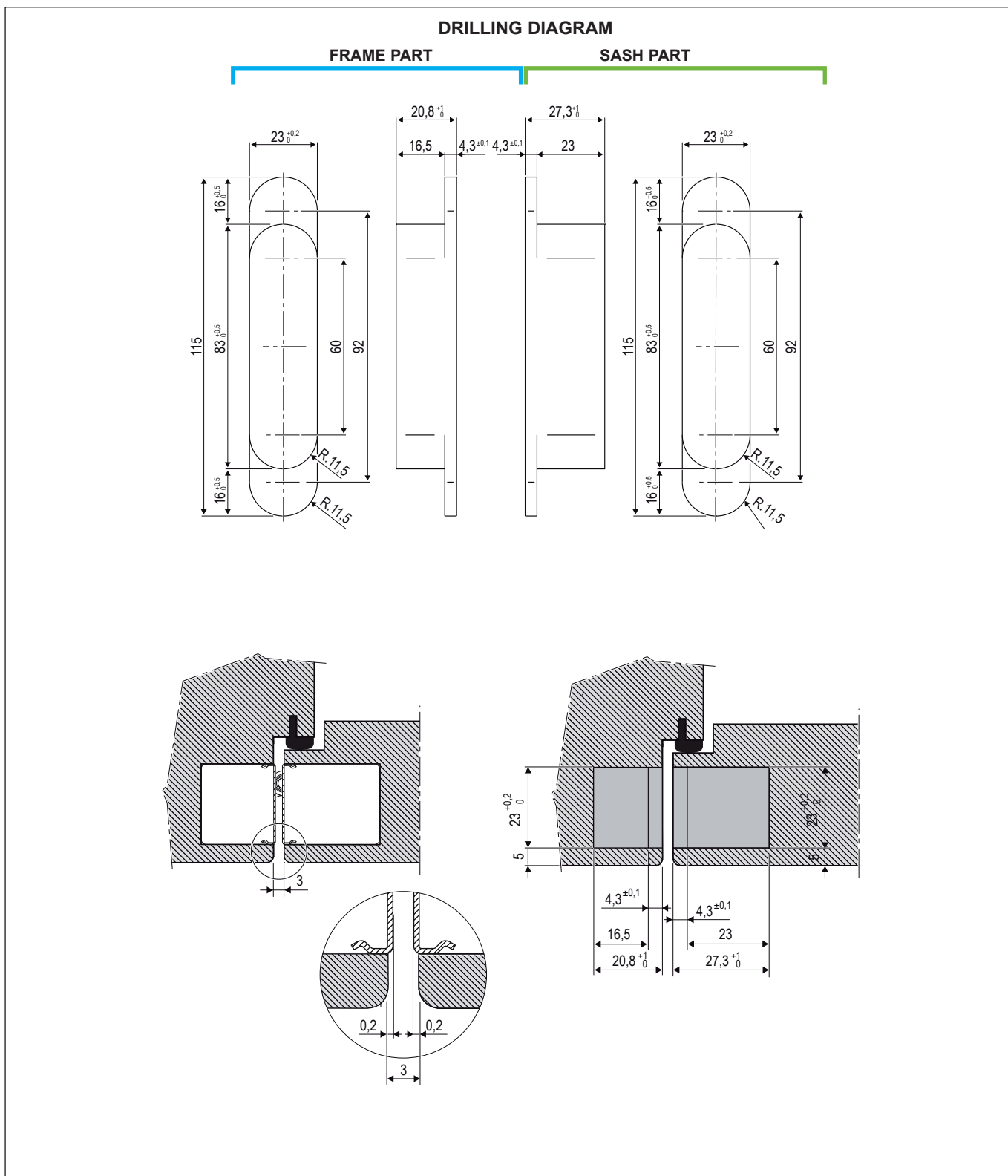


### Adjustments

Do the adjustments here below one at a time, with 3 mm Allen key:

- $\pm 2$  mm vertical adjustment: loosen the screws ① using a screwdriver (A). After this operation fasten the screws.
- $\pm 1$  mm pressing adjustment: loosen the screws ② and move the hinge body. After this operation fasten the screws.
- $\pm 1,5$  mm horizontal adjustment: move the screws ③.

# Eclipse 3.2 and Eclipse 3.2 HD - adjustable concealed hinge for flush doors with or without rebate and aluminium doors



## Order specifications

Material	Article	Description
ZAMAK	E30200.06.XX	Eclipse 3.2 hinge
ZAMAK / STEEL	E30200.61.XX	Eclipse 3.2 HD hinge

**Note.** Refer to the price list in force to check the availability of the finishes.